

HH Hood Latch

Pop-up function · Secondary latch · Flush

Features

- Intuitive operation with pop up handle
- Convenient installation with a dual engagement hole mounting design
- Carbon steel slide

Product Performance

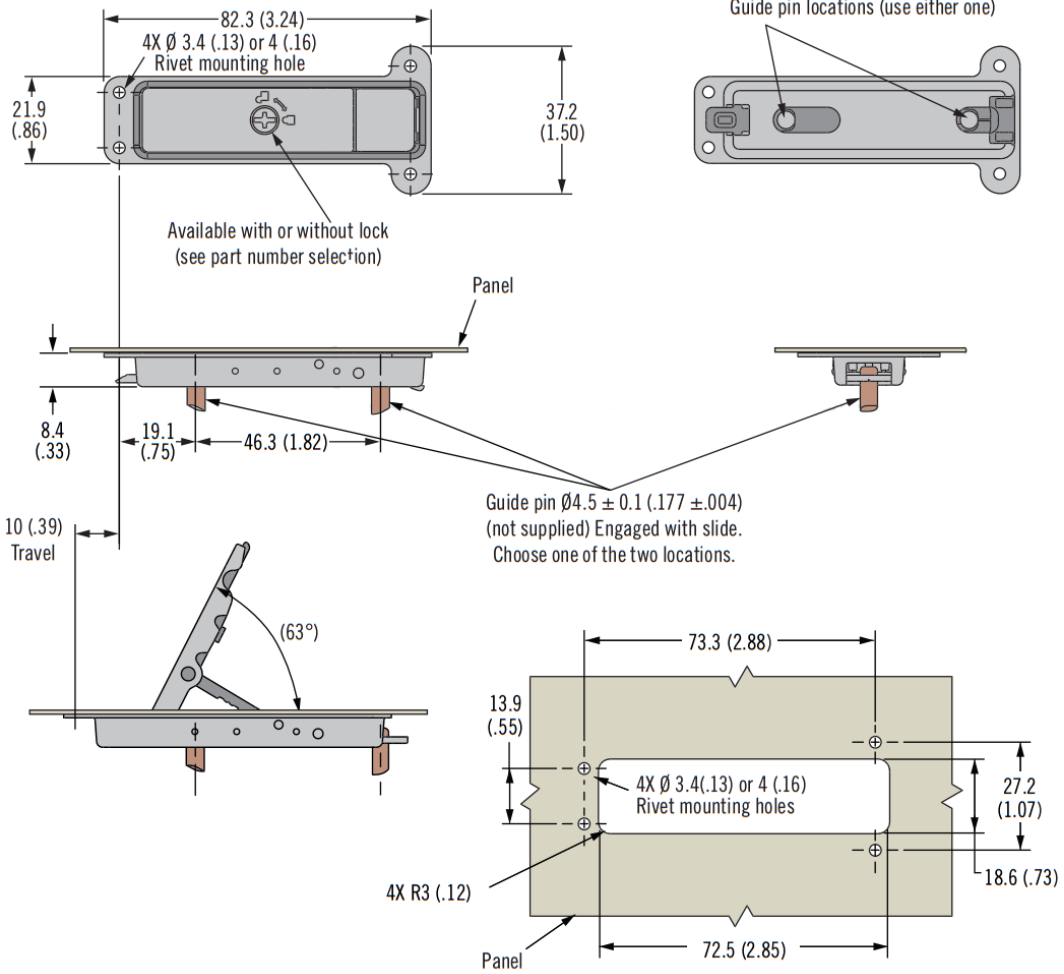
- Max. working load on side: 100 N
- Operating temperature range: -40°C to 40°C
- Flammability rating: UL-94-V0

Material

- Cup: Steel, zinc plated
- Lever: Zinc alloy, powder coated
- Button: Glass reinforced nylon

Notes

- Install assembly with $\varnothing 3.4$ or 4 rivets



HH - C L - H - B

- C Cup Style**
- 4 $\varnothing 3.4 (.13)$ Rivet Hole
 - 5 $\varnothing 4 (.16)$ Rivet Hole

- L Locking Option**
- 0 With Lock/Stud
 - 5 Without Lock/Stud

- H Lever Finish**
- 5 Black Powder Coated
 - 6 Silver Powder Coated

- B Button Color**
- 000 Black
 - 006 Blue
 - 059 Green